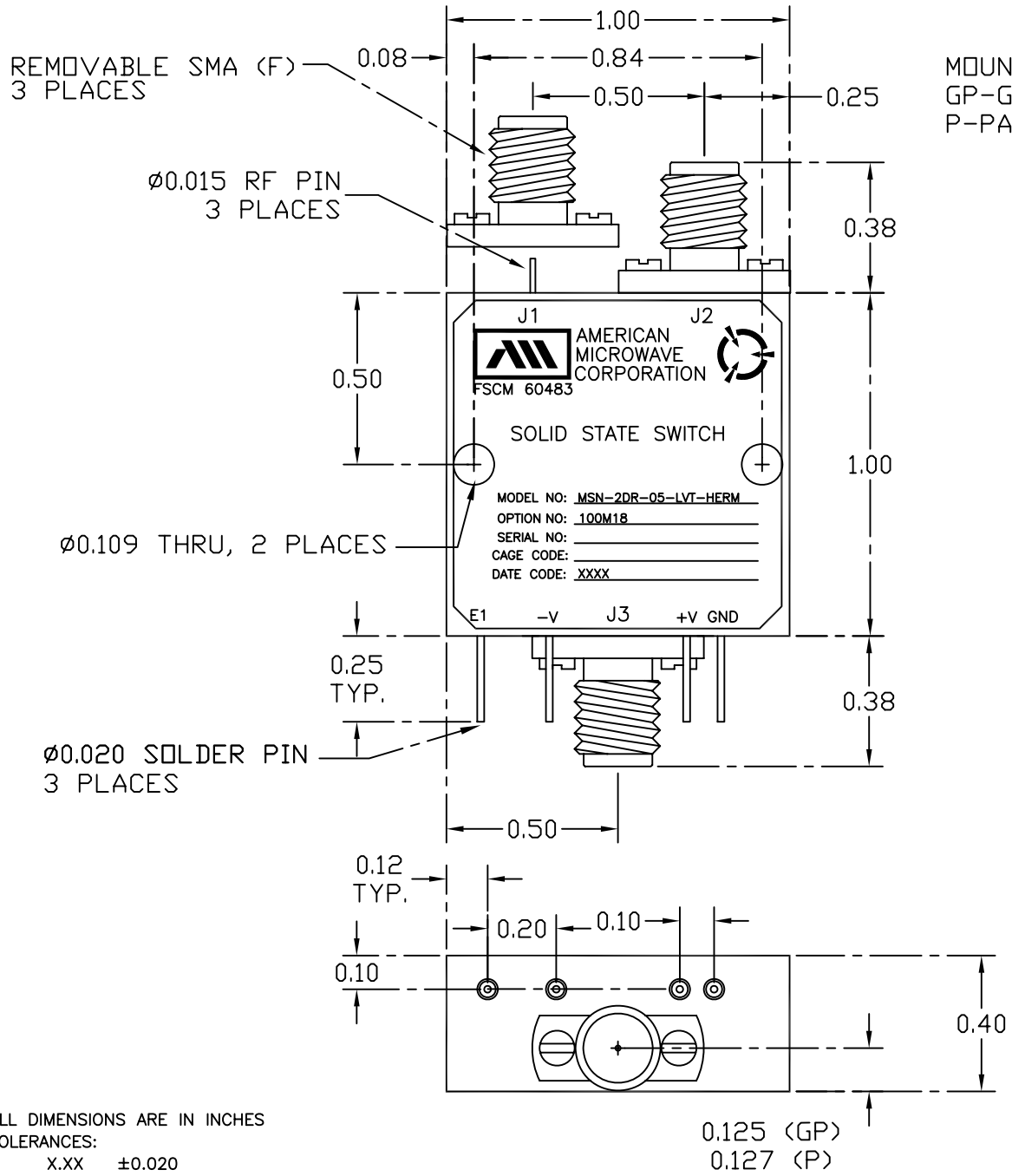


DESCRIPTION:

AMC MODEL MSN-2DR-05-LVT-HERM OPTION 100M18 IS A SINGLE POLE TWO THROW, REFLECTIVE SWITCH MODULE WITH VERY LOW INSERTION LOSS, HIGH ISOLATION AND WITH INTEGRAL TTL DRIVER, DESIGNED FOR LOW VIDEO TRANSIENTS, LOW HARMONIC DISTORTION AND BROAD BAND OPERATIONS.

REVISIONS				
ZONE	REV.	DESCRIPTION	DATE	APPROVED
	-	ORIGINAL JOB # 605082PE-1	6/22/06	



MOUNTING SURFACE
GP-GOLD PLATED
P-PAINTED

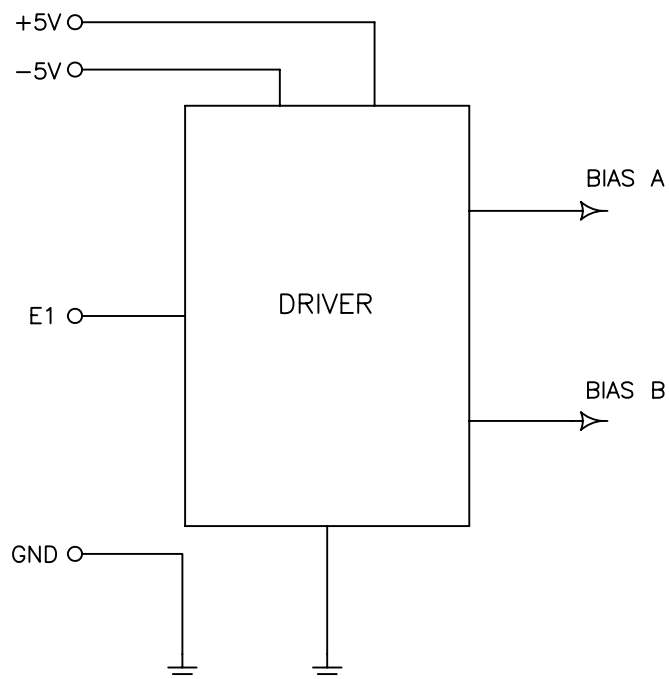
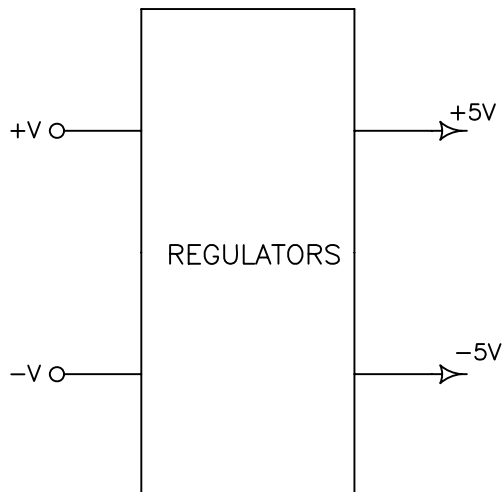
ALL DIMENSIONS ARE IN INCHES
TOLERANCES:
X.XX ±0.020
X.XXX ±0.010

PART NO.		AMERICAN MICROWAVE CORPORATION FREDERICK, MARYLAND		
APPROVALS	DATE	TITLE		
DRAWN <i>RRd</i>	6/22/06	MECHANICAL OUTLINE MSN-2DR-05-STANDARD OPTION 100M18 SOLID STATE SWITCH		
CHECKED <i>Rd</i>	09/19/06	SIZE	FSCM NO.	DWG NO.
ISSUED		A	60483	100-3922-11
		SCALE		REV. -
			SHEET	2 of 4

DESCRIPTION:

AMC MODEL MSN-2DR-05-LVT-HERM OPTION 100M18 IS A SINGLE POLE TWO THROW, REFLECTIVE SWITCH MODULE WITH VERY LOW INSERTION LOSS, HIGH ISOLATION AND WITH INTEGRAL TTL DRIVER, DESIGNED FOR LOW VIDEO TRANSIENTS, LOW HARMONIC DISTORTION AND BROAD BAND OPERATIONS.

REVISIONS				
ZONE	REV.	DESCRIPTION	DATE	APPROVED
	-	ORIGINAL JOB # 605082PE-1	6/22/06	

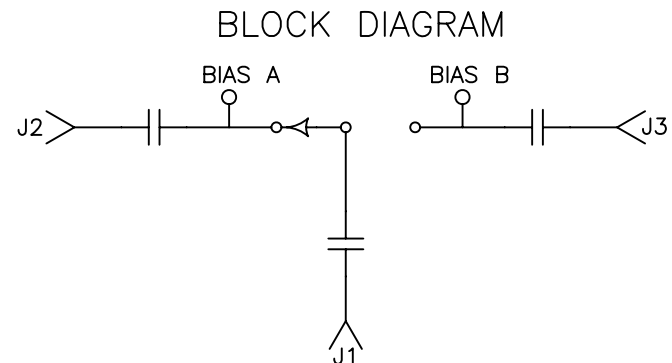



ALL DIMENSIONS ARE IN INCHES

TOLERANCES:

X.XX ±0.020

X.XXX ±0.010



PART NO.		 AMERICAN MICROWAVE CORPORATION FREDERICK, MARYLAND		
APPROVALS	DATE	TITLE		
DRAWN <i>RRA</i>	6/22/06	BLOCK DIAGRAM		
CHECKED <i>RA</i>	09/19/06	MSN-2DR-05-STANDARD OPTION 100M18 SOLID STATE SWITCH		
ISSUED		SIZE	FSCM NO.	DWG NO.
		A	60483	100-3922-11
		SCALE	SHEET 3 of 4	
				REV. -